

**SL44C-SERIES**

Full extension synchronize  
undermount slides

**Applications:**

- Kitchens
- Closets
- Home furniture

**Features:**

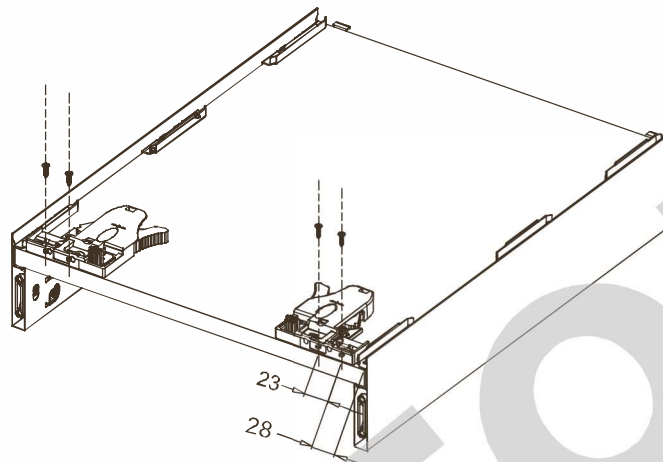
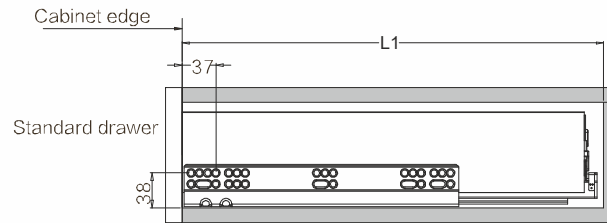
- 40kg load rating
- Full extension
- Side mounted
- Clips for quick mount and disconnect
- Soft closing feature
- 32mm system hole pattern
- Zinc finish

**Options:**

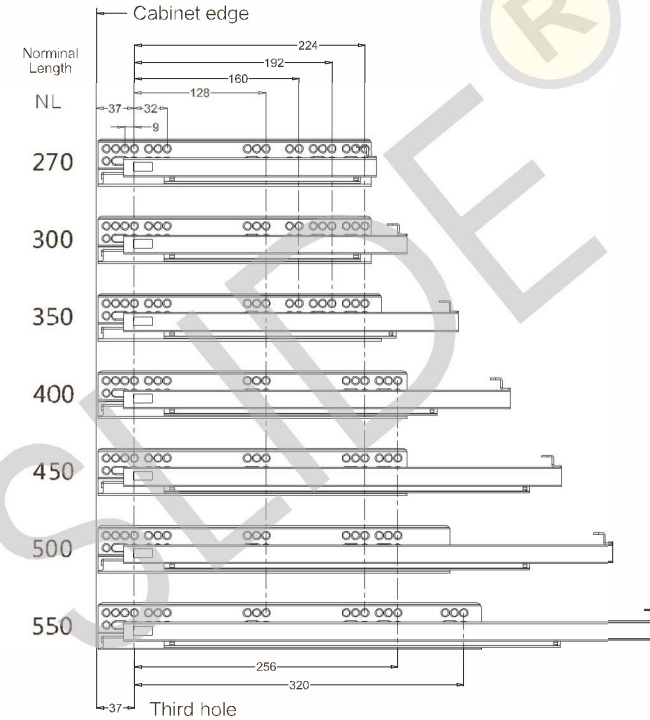
- Sizes: 300mm - 500mm
- -Available from quickship program

**Installation dimensions (mm)**

Nominal Slide Length=NL Internal Cabinet Depth=LT=NL+3



**Screw positions of the sides (mm)**



Dimension	300	350	400	450	500
Drawer Length (L)	300	350	400	400	500
Minimum inside cabinet depth (L1)	303	353	403	453	503
Packing per box	10	10	10	10	10

Model No. SL44C-Series  
2019.03.05